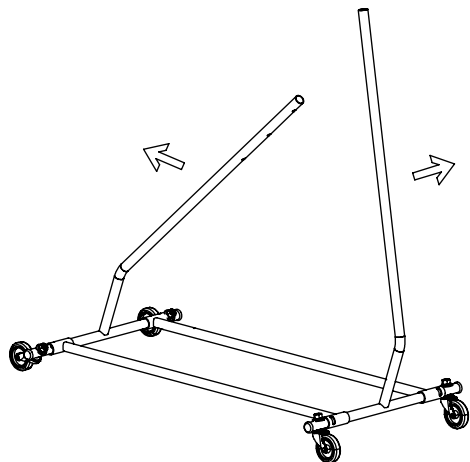


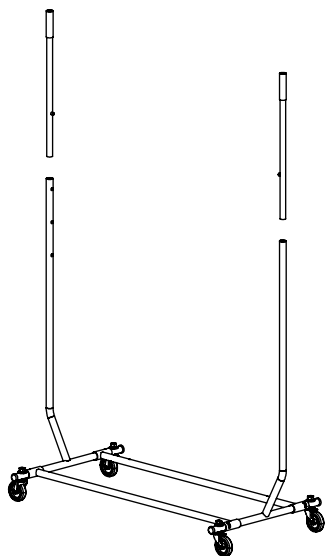
1

**ASSEMBLY
INSTRUCTIONS FOR:
RCS1, RCS2**



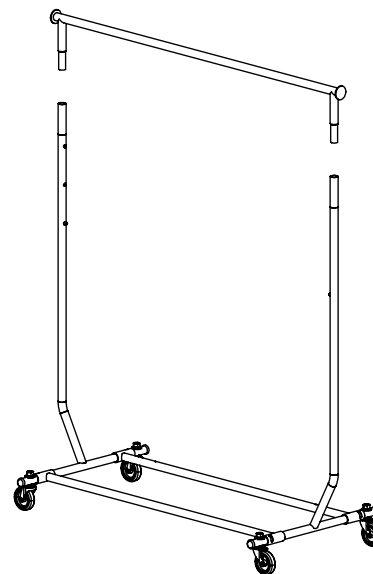
UNFOLD UPRIGHTS

2



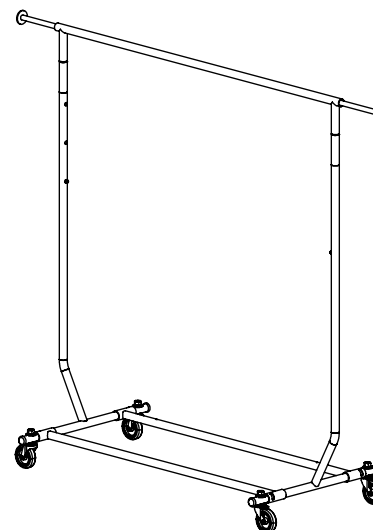
INSERT SHORT TUBES
INTO UPRIGHTS

3



INSERT HANGBAR

4



TELESCOPING ARMS CAN BE
ADJUSTED IN AND OUT