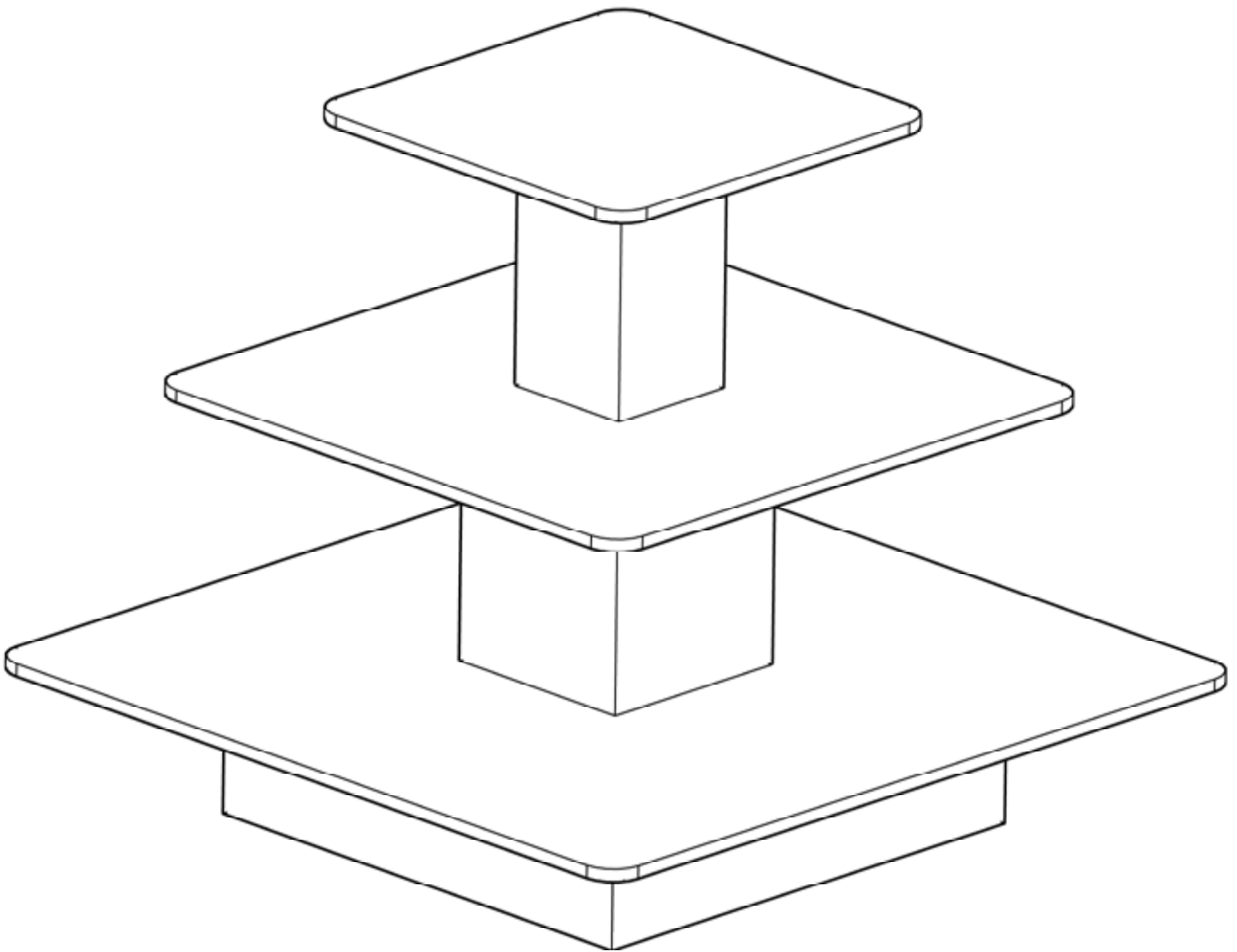
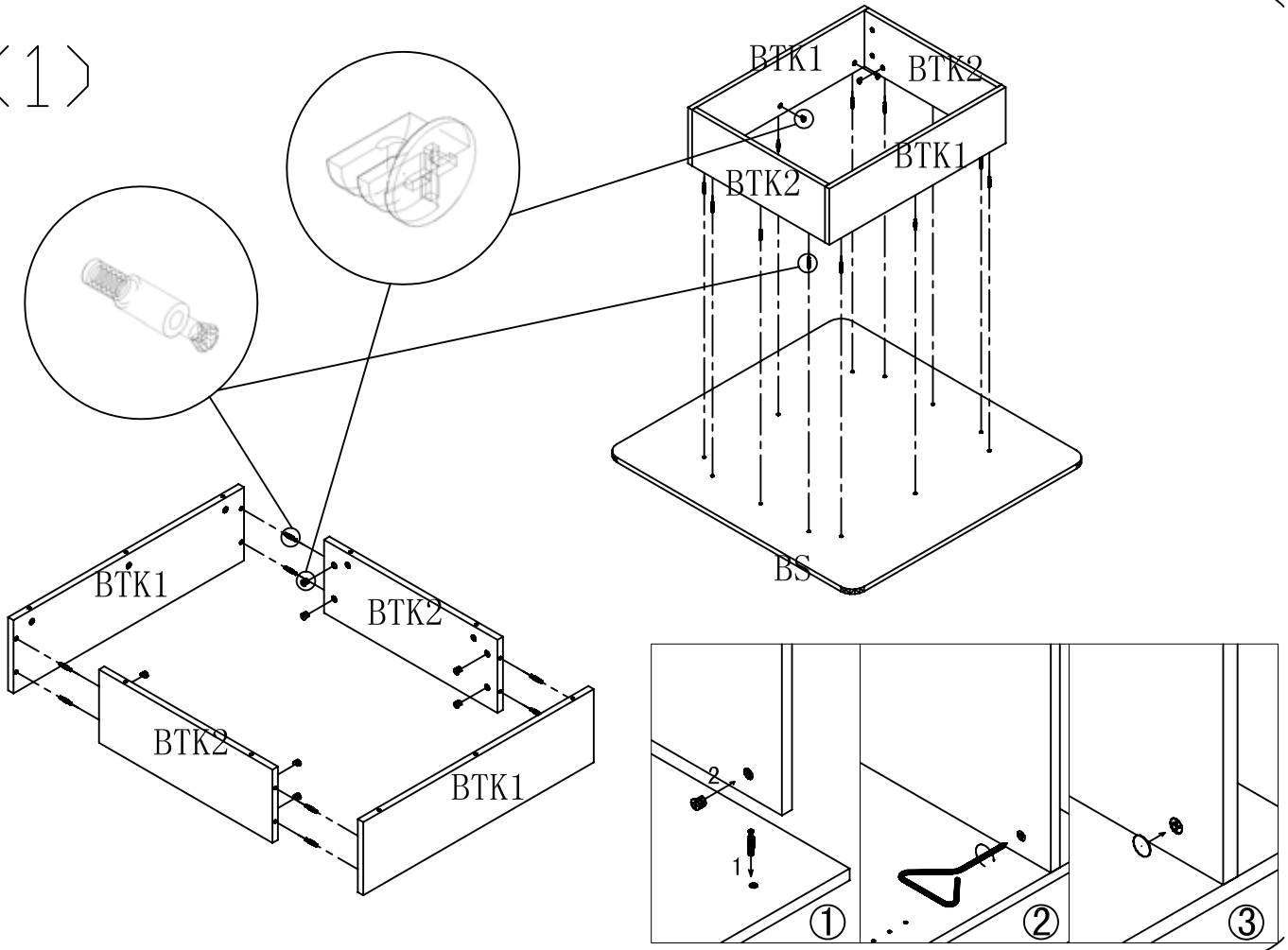


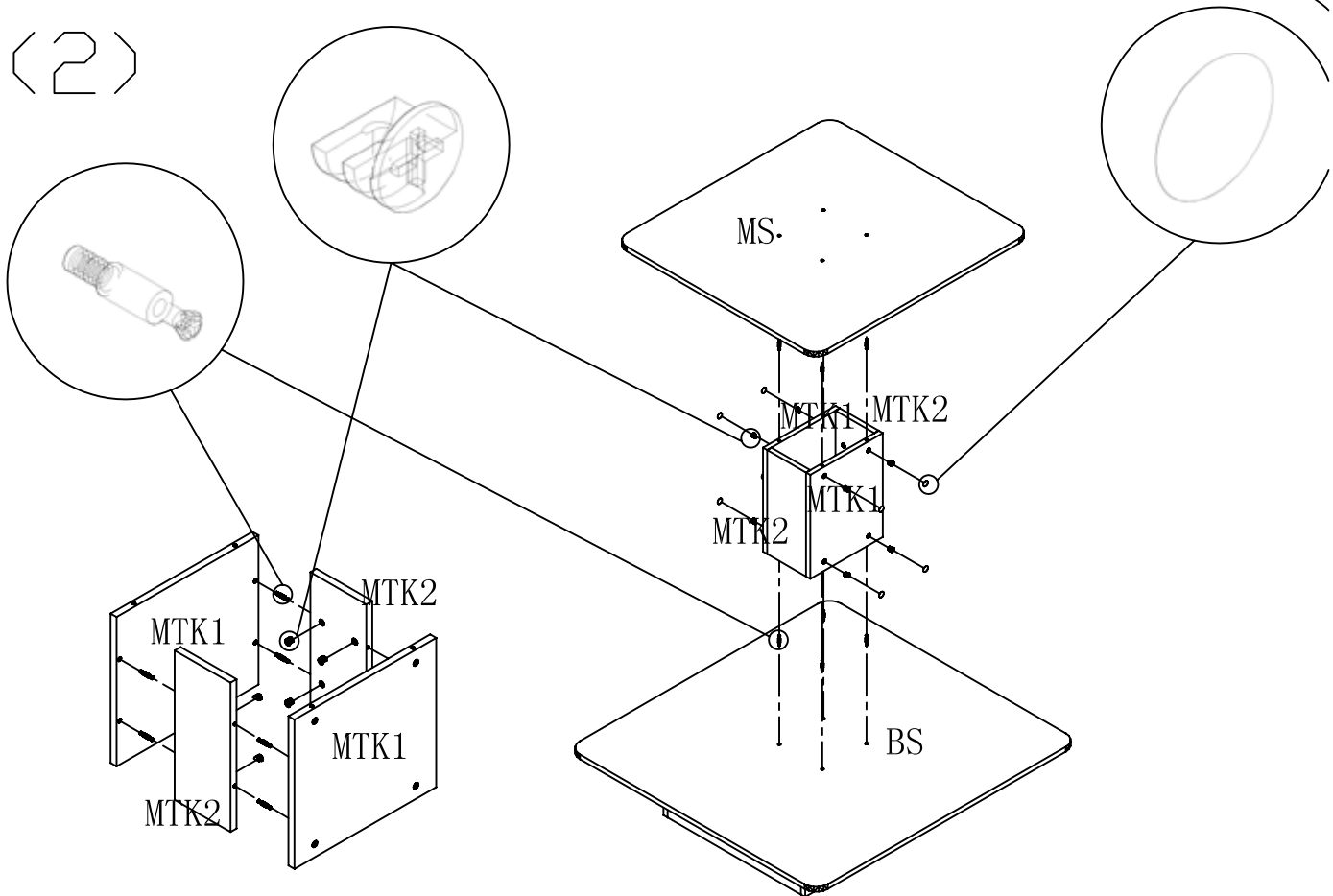
WD3RQMP



(1)

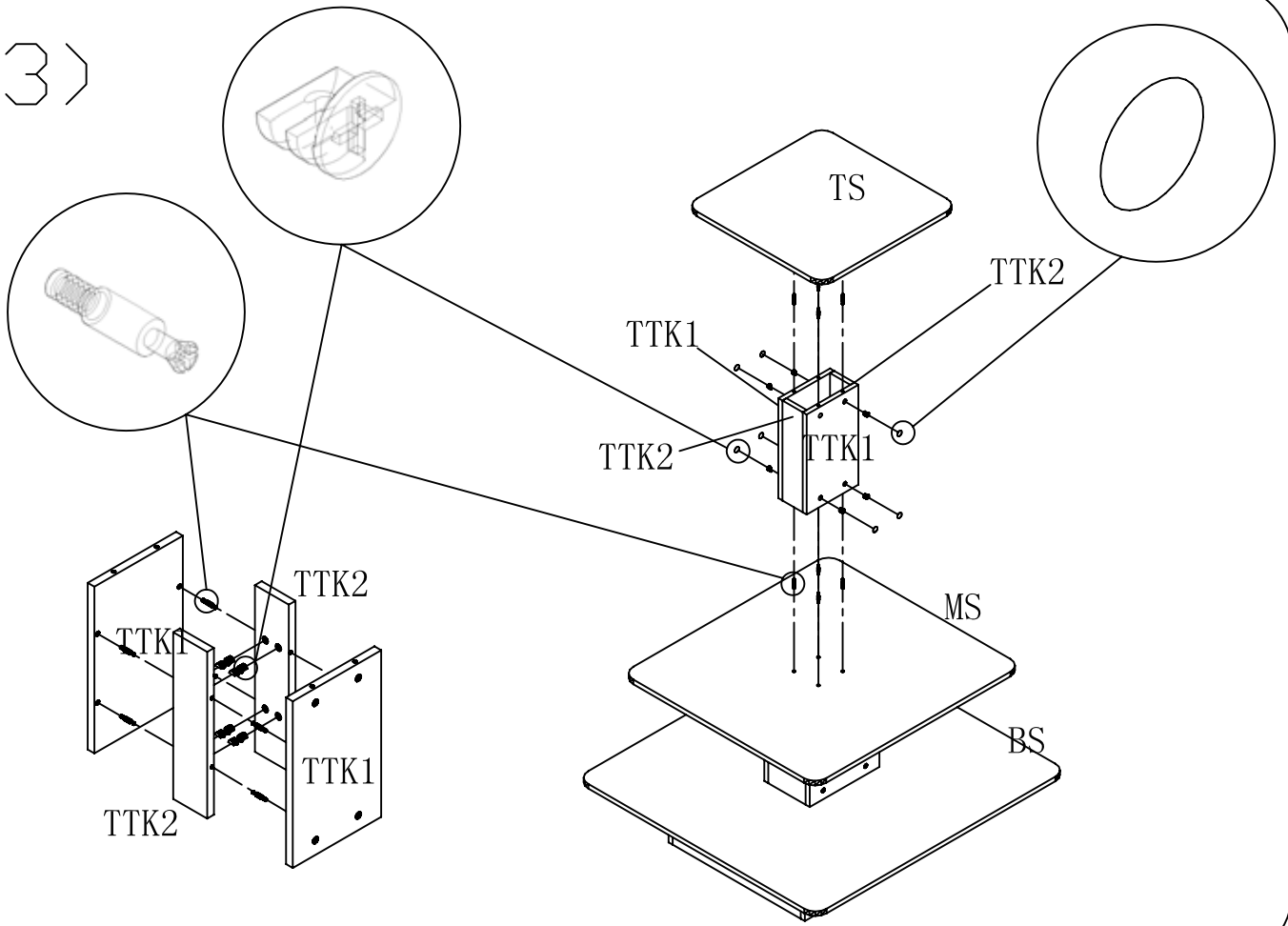


(2)

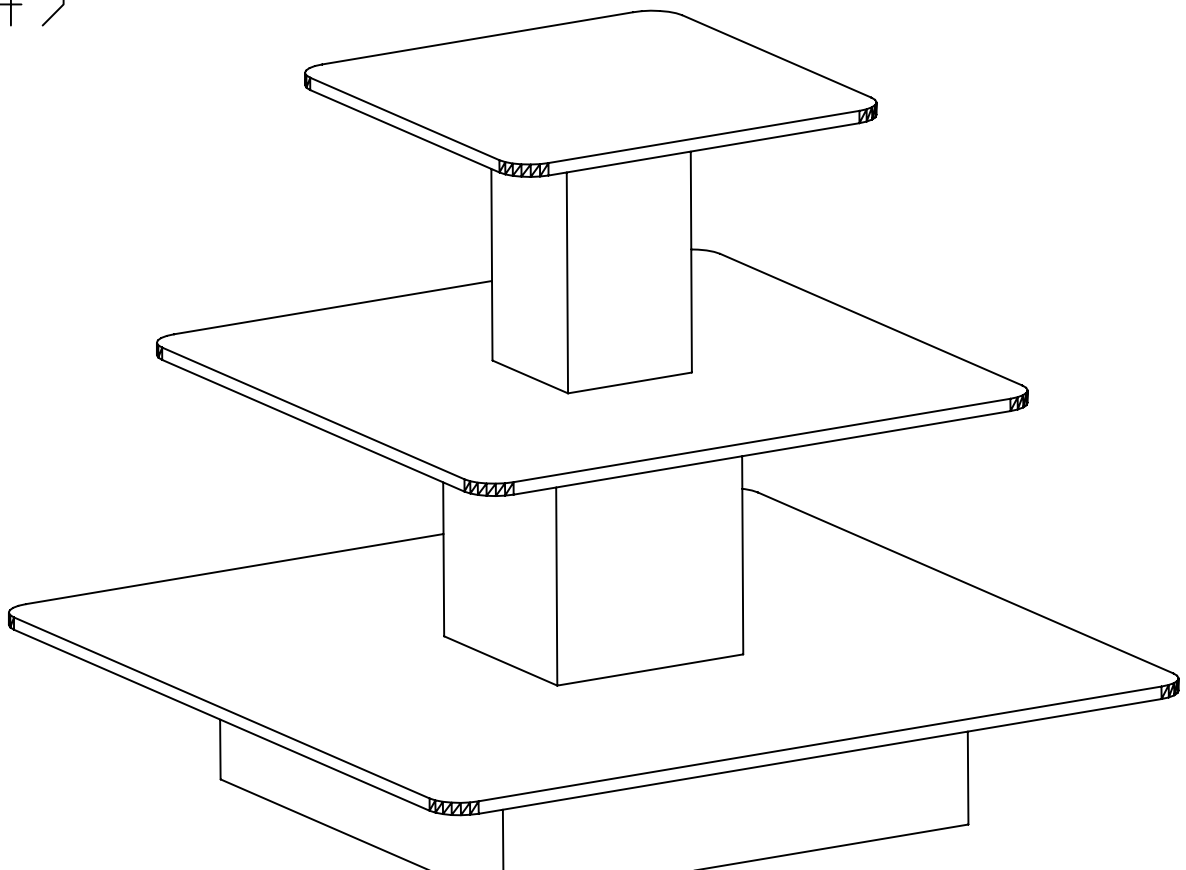


WD3RQMP

(3)



(4)



PARTS LIST



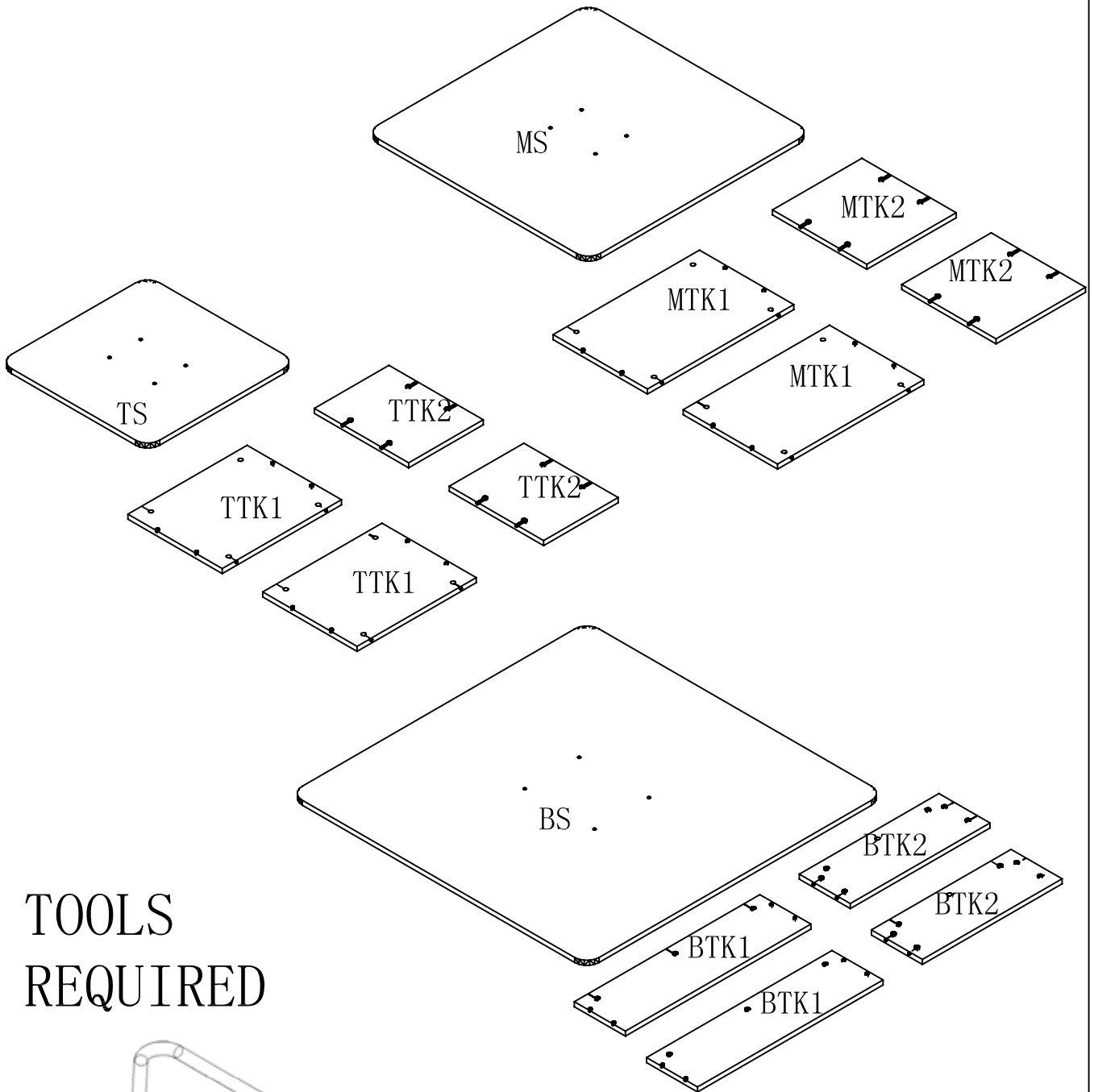
X52



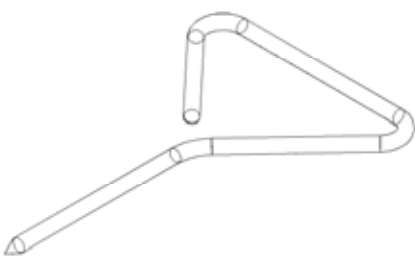
X52



X16



TOOLS
REQUIRED



WD3RQMP