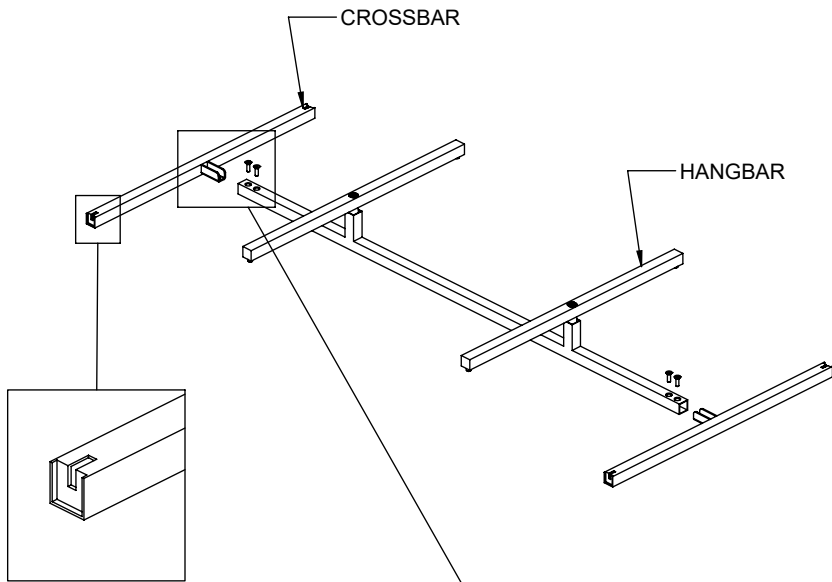
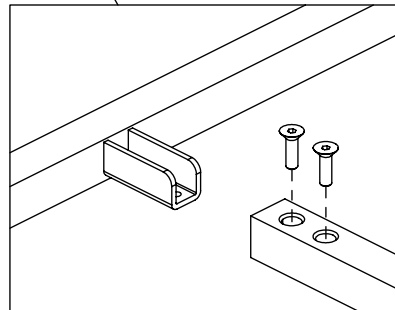


**ASSEMBLY
INSTRUCTIONS FOR:
LNUADSWV**

1

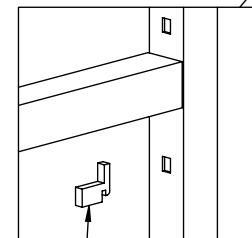
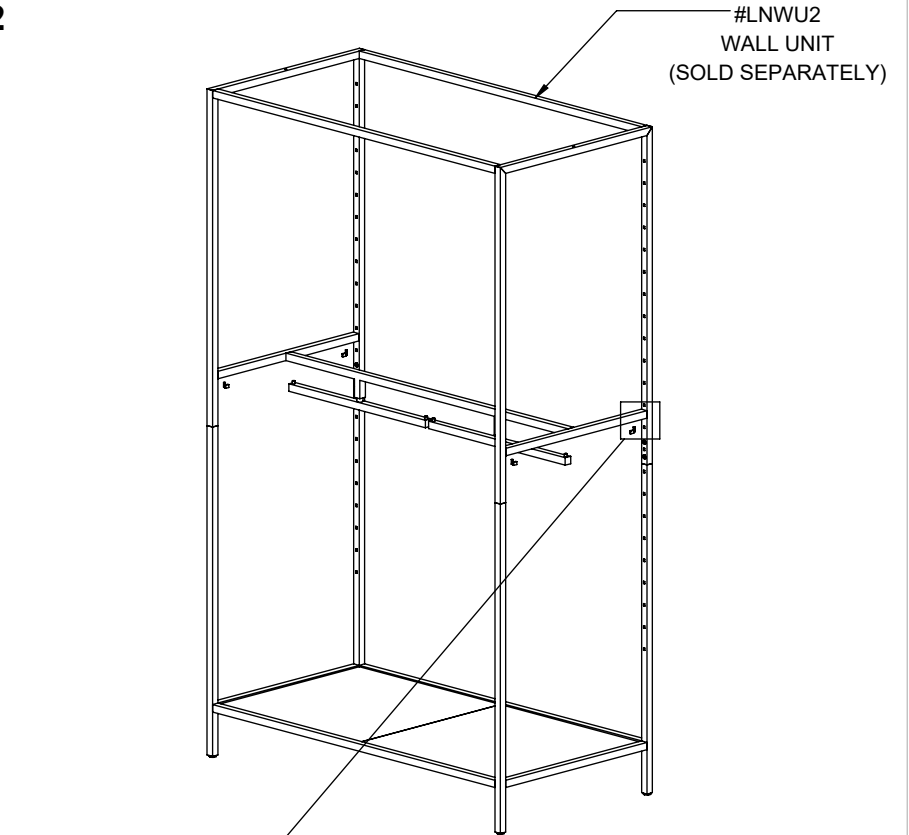


ASSURE THAT GROOVE
ON CROSSBAR IS IN THIS
ORIENTATION WHEN
INSTALLING.



- SWIVEL HANGBARS TO SHOWN POSITION.
- INSTALL CROSSBARS WITH SCREWS

2



TURN STEP 1 RIGHT SIDE UP.

INSERT (4) SHELF SUPPORTS INTO DESIRED HEIGHT.
PLACE ADJUSTABLE SWIVEL HANGBAR ONTO SHELF
SUPPORTS.

SHELF SUPPORT