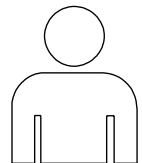
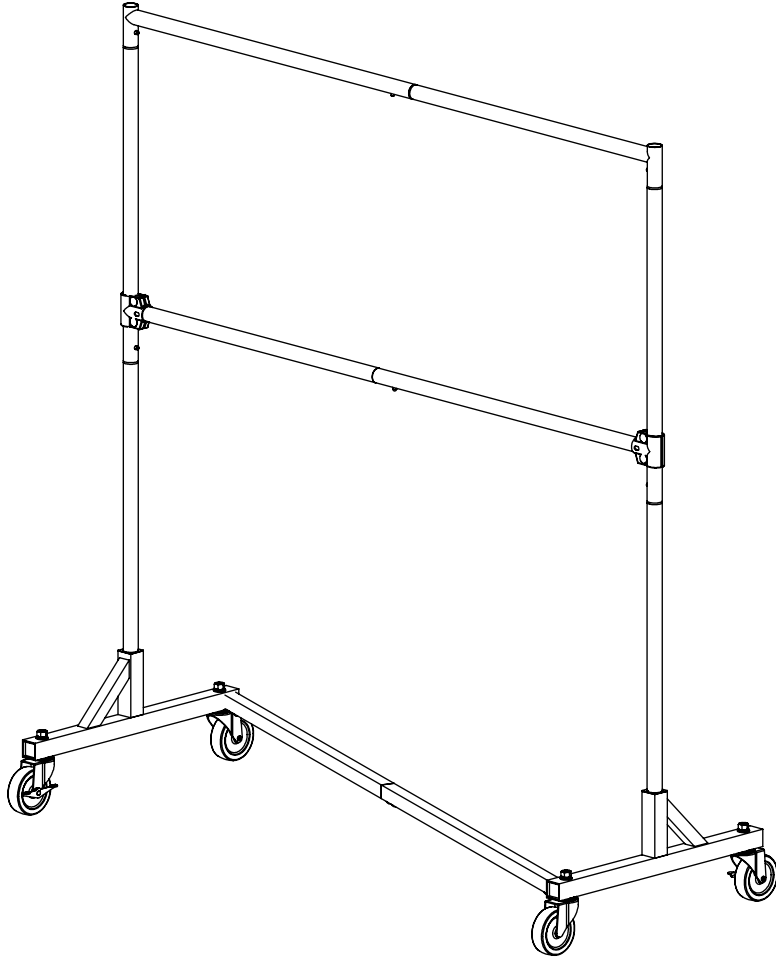


Z-Rack - Industrial Rack with Included Add-On Hangrail

Item # RZK8DH, RZK8RNGDH



**2 PEOPLE
REQUIRED
FOR
ASSEMBLY**

INCLUDED HARDWARE



6X
3/8"-16 x 0.5" LONG
BUTTON HEAD SOCKET
SCREW



4X
1/2"-12 HEX NUT



6X
3/8" LOCK WASHER



4X
1/2" LOCK WASHER



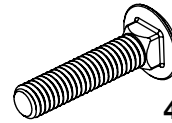
6X
3/8" FLAT WASHER



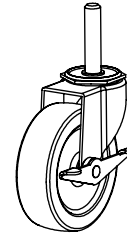
4X
1/2" NARROW
WASHER



4X
1/2" WIDE
WASHER



4X
3/8" x 1 3/4" LONG
CARRIAGE BOLT

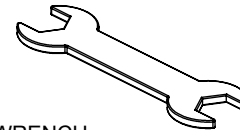


4X
4" CASTER
-2 LOCKING
-2 NON-LOCKING



4X
3/8" SERRATED
LOCKNUT

TOOLS REQUIRED



WRENCH

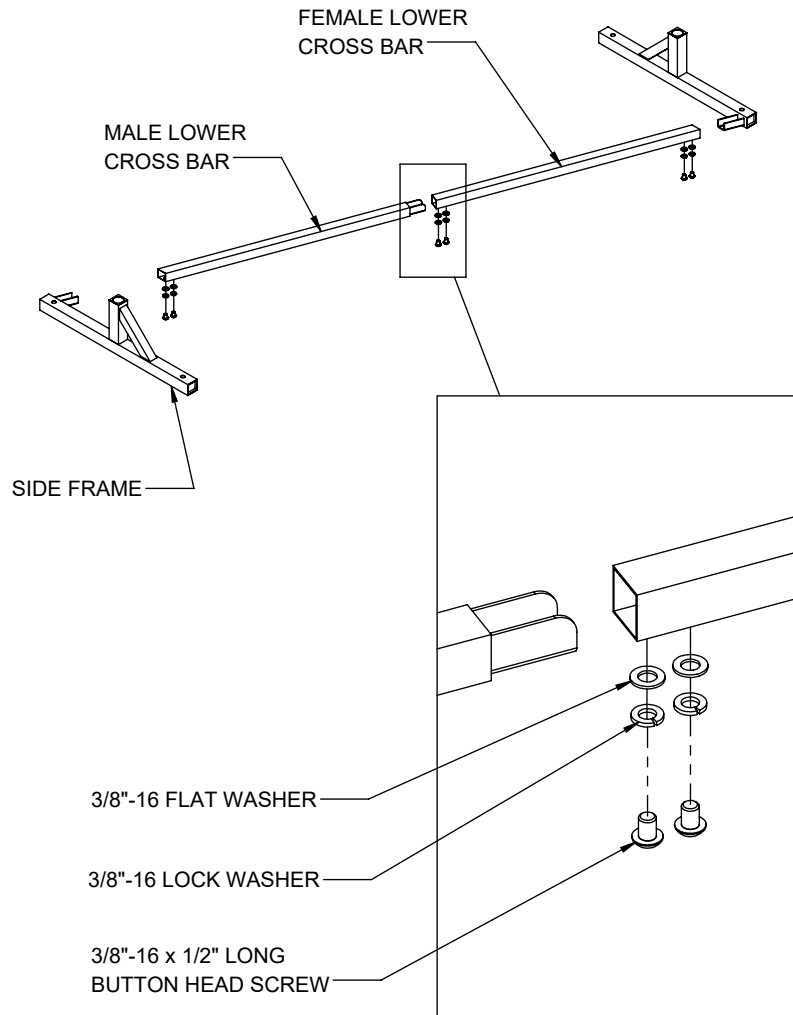


ALLEN KEY

1

ASSEMBLE THE LOWER CROSS BAR HALVES WITH 3/8" BUTTON HEAD SCREWS, 3/8" LOCK WASHERS AND 3/8" WASHERS AS SHOWN. TIGHTEN WITH ALLEN KEY.

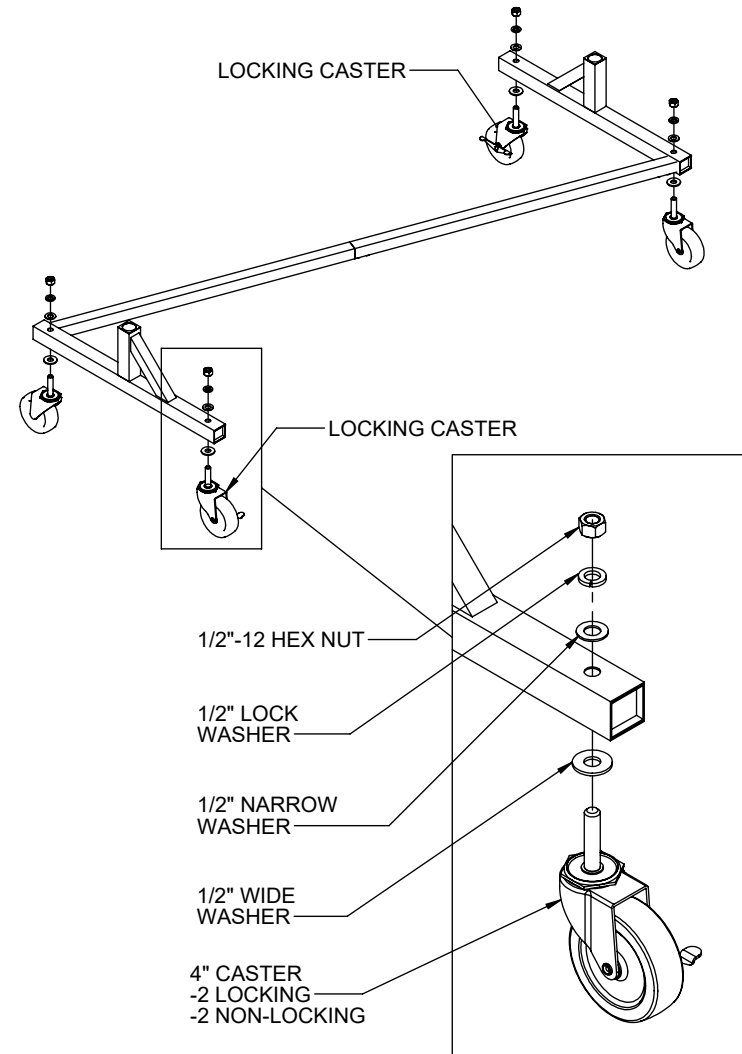
JOIN THE (2) SIDE FRAMES WITH THE ASSEMBLED CROSS BAR IN THE SAME MANNER AS SHOWN. TIGHTEN WITH ALLEN KEY.



2

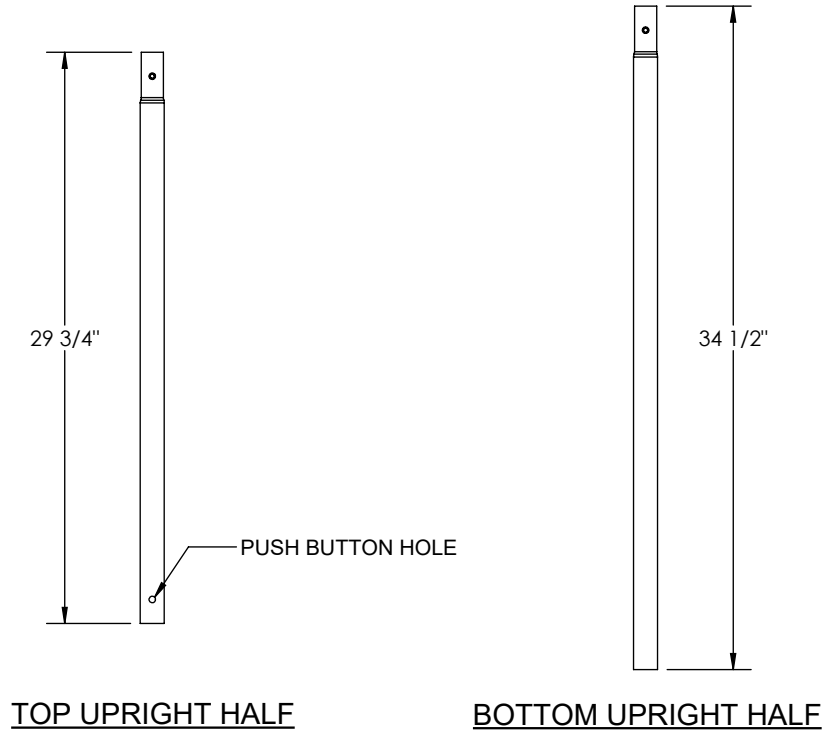
ASSEMBLE CASTERS TO THE ASSEMBLED BASE WITH 1/2" WASHERS, 1/2" LOCK WASHERS, 1/2"-12 HEX NUTS AS SHOWN. USE THE WRENCH TO TIGHTEN THE NUT.

NOTE: CASTERS WITH BRAKES SHOULD BE INSTALLED IN OPPOSITE CORNERS AS SHOWN.



3A

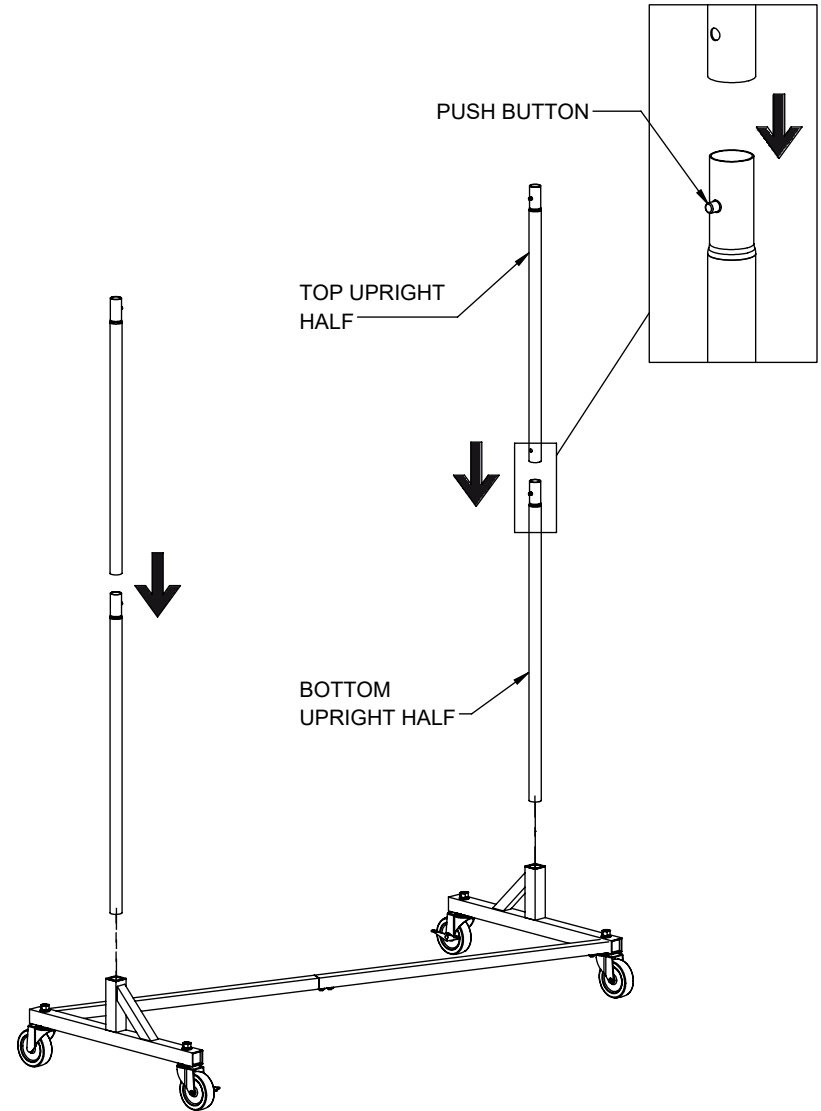
IDENTIFY THE TOP AND BOTTOM HALVES OF THE UPRIGHTS.



3B

DEPRESS THE PUSH BUTTON ON THE BOTTOM UPRIGHT HALF AND JOIN WITH THE TOP UPRIGHT HALF. REPEAT FOR THE OTHER UPRIGHT.

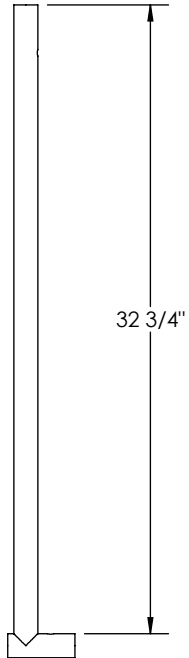
INSERT UPRIGHTS INTO THE SIDE FRAMES AND ALIGN THE PUSH BUTTON TOWARDS THE CENTER.



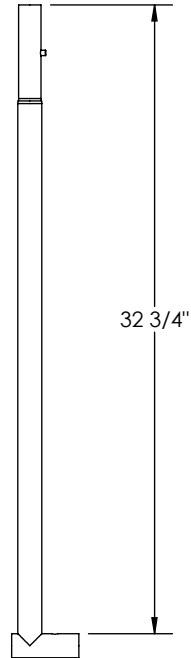
4A

IDENTIFY THE FEMALE AND MALE HANG BAR HALVES.

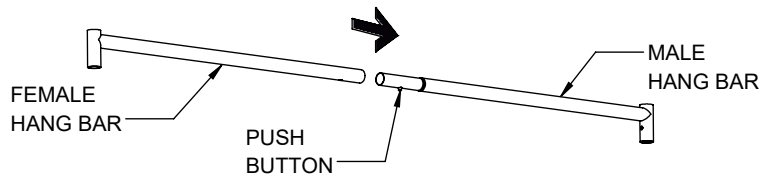
DEPRESS THE PUSH BUTTON ON THE MALE HANG BAR HALF AND JOIN WITH THE FEMALE HANG BAR HALF AS SHOWN.



FEMALE HANG BAR HALF

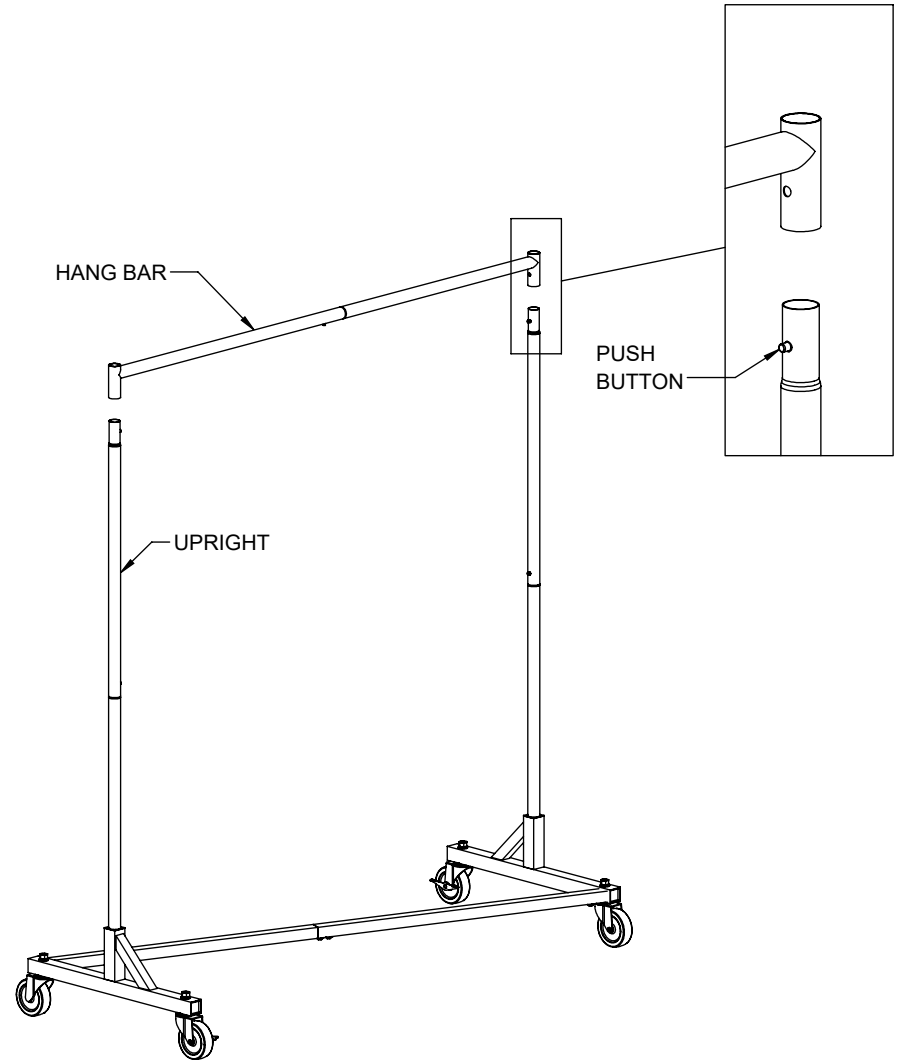


MALE HANG BAR HALF



4B

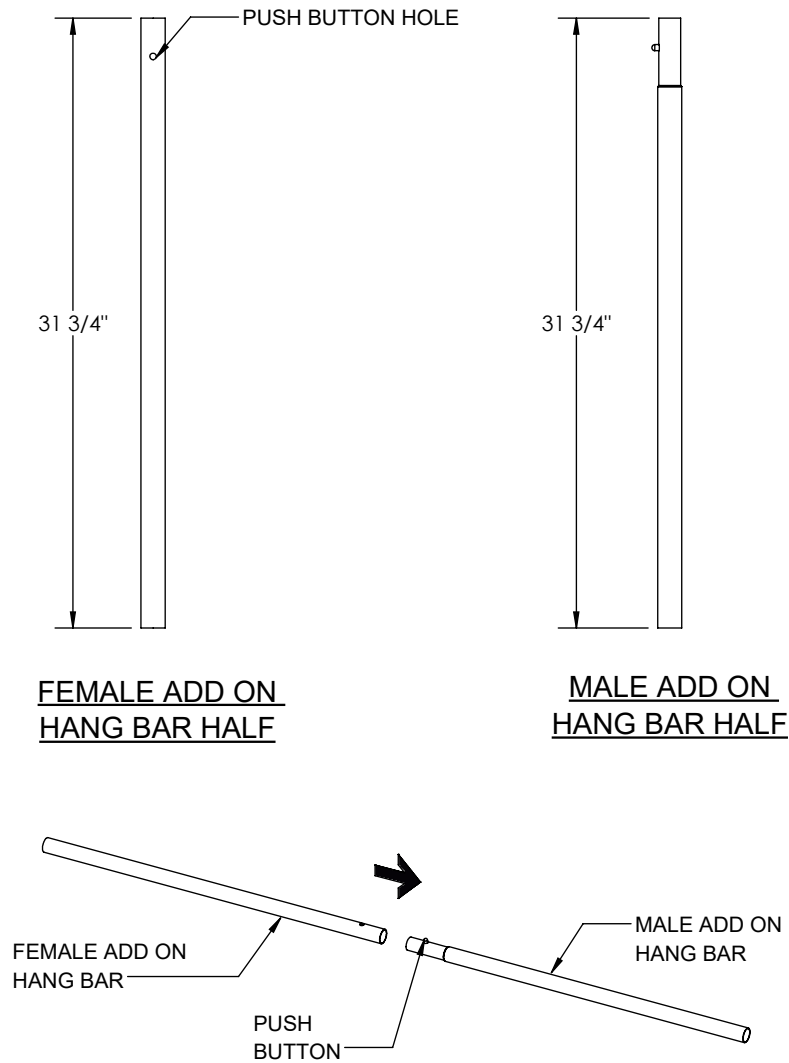
DEPRESS THE PUSH BUTTONS ON THE UPRIGHTS AND INSTALL THE ASSEMBLED HANG BAR ON THE UPRIGHTS AS SHOWN.



5A

IDENTIFY THE FEMALE AND MALE ADD ON HANG BAR HALVES.

DEPRESS THE PUSH BUTTON ON THE MALE ADD ON HANG BAR HALF AND JOIN WITH THE FEMALE ADD ON HANG BAR HALF AS SHOWN.



5B

HOLD THE ADD ON HANG BAR AT THE REQUIRED HEIGHT AND POSITION THE HANG BAR CLAMPS AS SHOWN BELOW.

INSERT THE CARRIAGE BOLTS THROUGH THE SQUARE HOLES IN THE CLAMPS AND THREAD ON THE SERRATED LOCK NUTS.

TIGHTEN THE PIECES TOGETHER WITH THE INCLUDED WRENCH.

