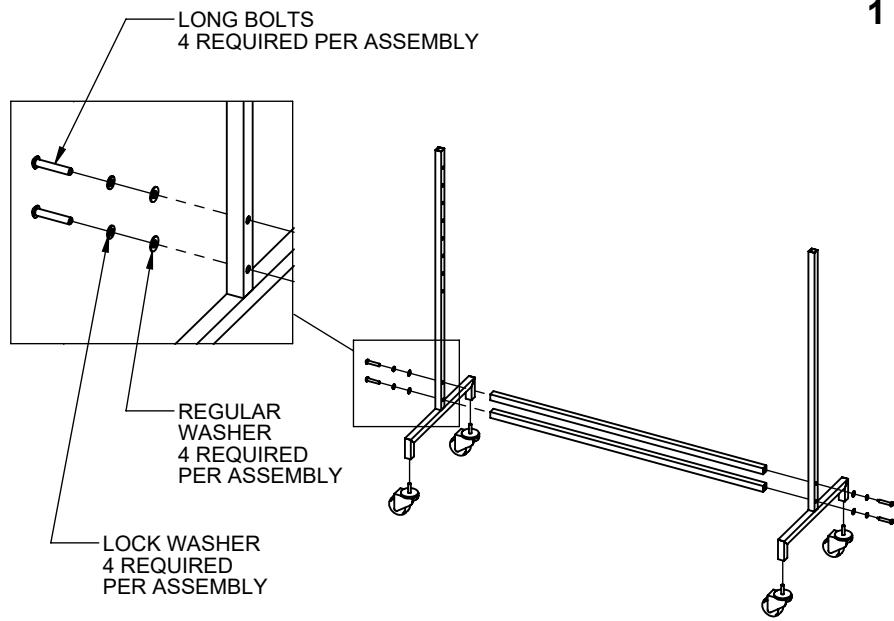
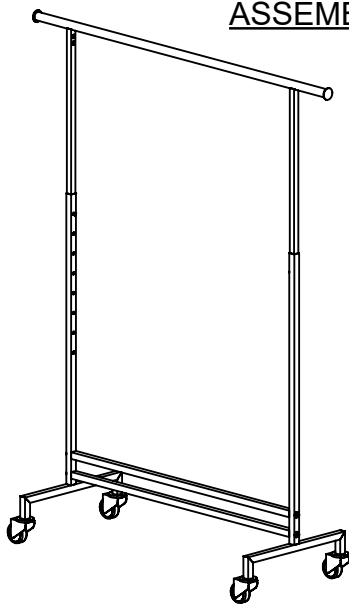
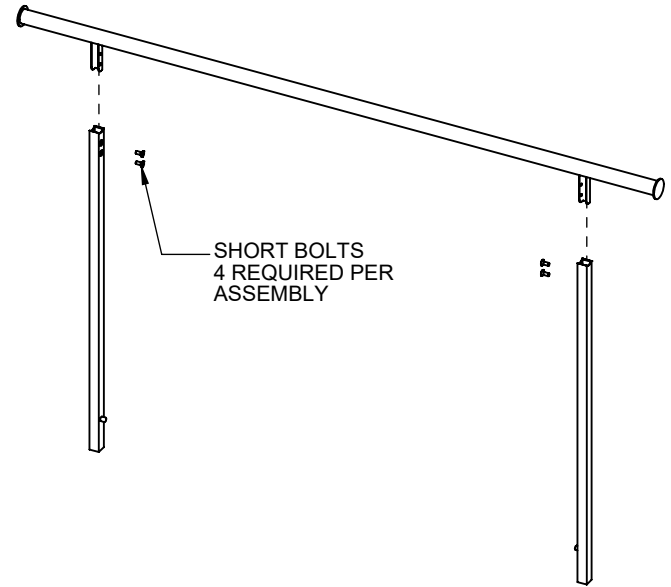


ASSEMBLY INSTRUCTIONS:
K43



2



3

