

## SHELF REST, RUBBER BUMPER INSTRUCTIONS

Item # GLKC, GLKL, GLKR, GLKF, BU

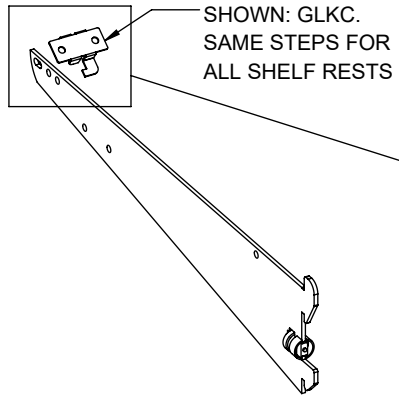
**GLKC** - CENTER SHELF REST

**GLKL** - LEFT END SHELF REST

**GLKR** - RIGHT END SHELF REST

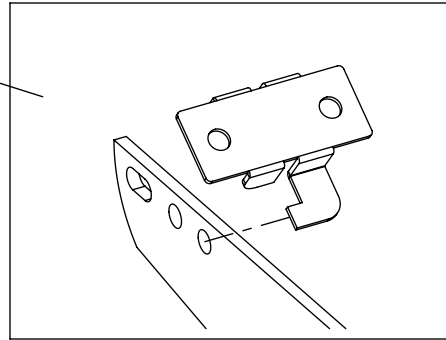
**GLKF** - FRONT SHELF REST

**BU** - RUBBER BUMPER



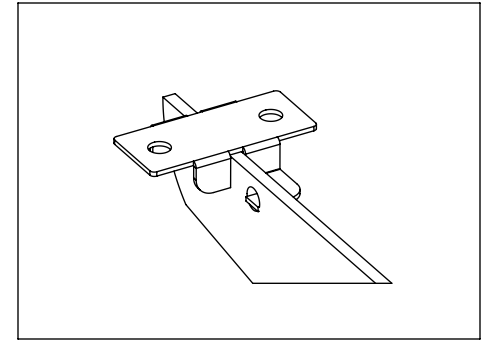
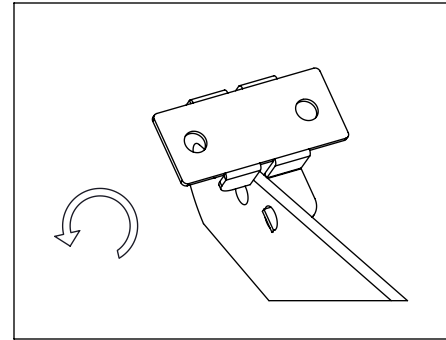
### 1A

PLACE SHELF REST INTO HOLE.



### 1B

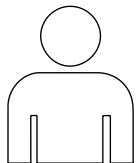
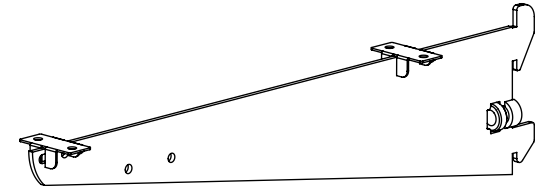
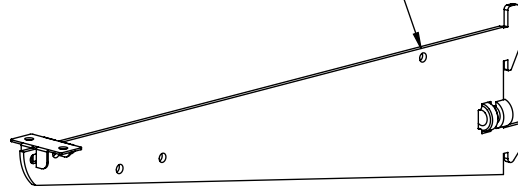
PIVOT SHELF REST DOWN INTO PLACE.



## 2

INSERT SECOND SHELF REST INTO SECOND HOLE.

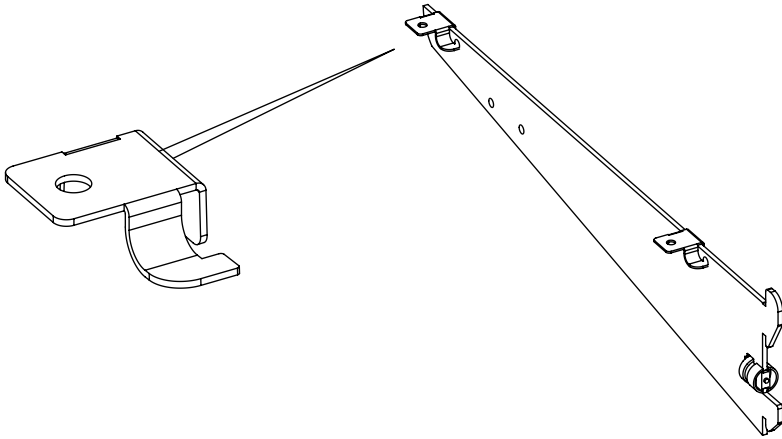
INSERT SECOND SHELF REST HERE.



**1 PEOPLE  
REQUIRED  
FOR  
ASSEMBLY**

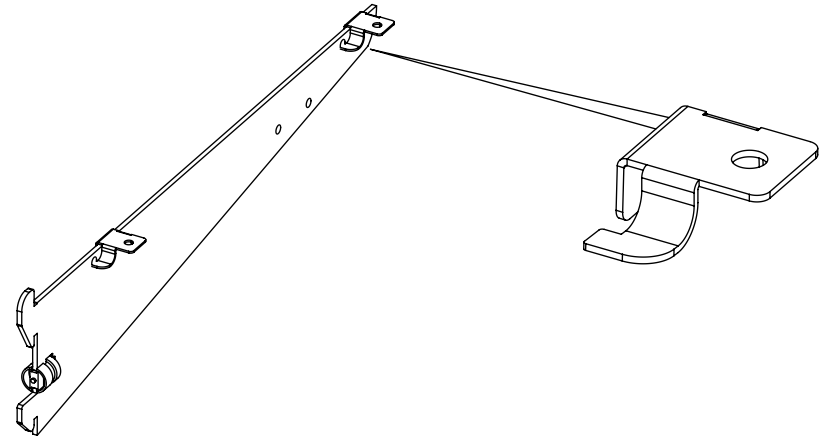
## GLKL

LEFT END SHELF REST



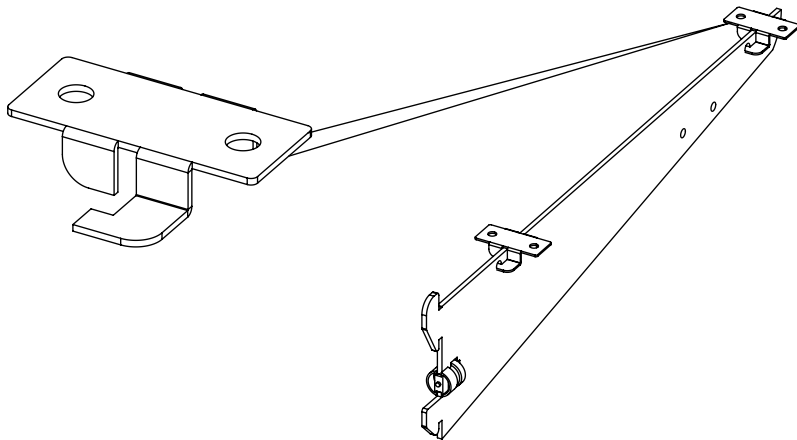
## GLKR

RIGHT END SHELF REST



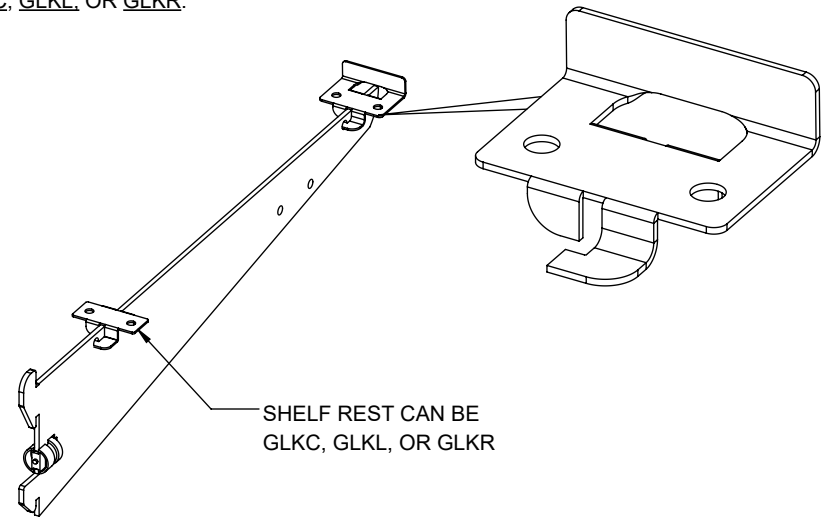
## GLKC

CENTER SHELF REST



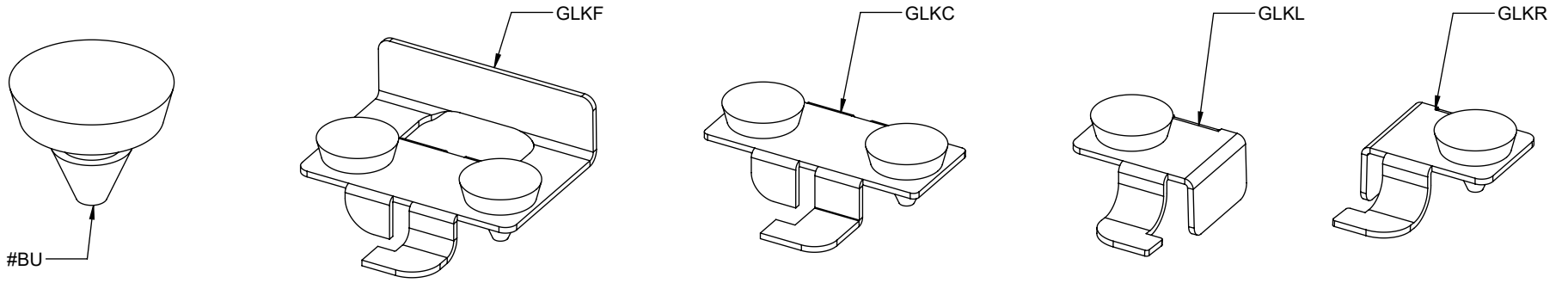
## GLKF

NOTE: WHEN USING GLKF, THE SECOND HOLE CAN BE USED WITH GLKC, GLKL, OR GLKR.



**BU - RUBBER BUMPER**

BU CAN BE PLACED INTO SHELF REST HOLES FOR GLASS SHELVES  
(SOLD SEPARATELY)



**EXAMPLE SETUP WITH GLASS SHELF**

SHELF RESTS SHOWN WITH BU IN USE.

