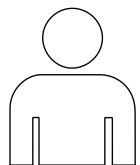
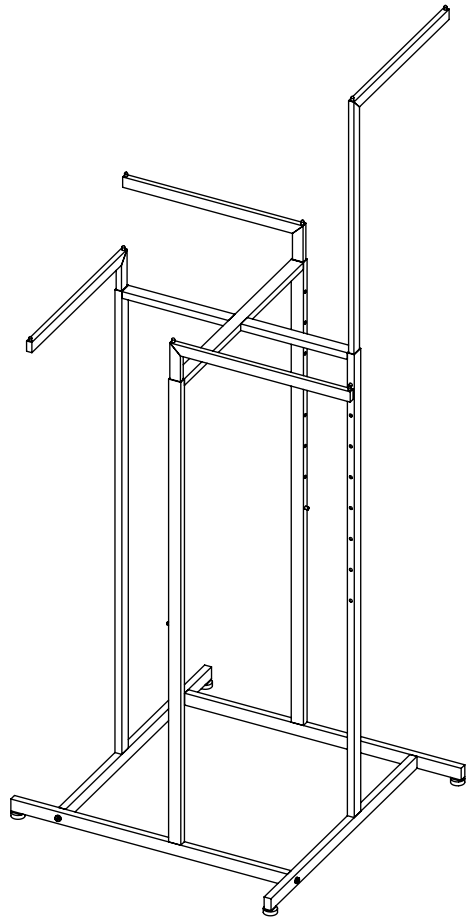


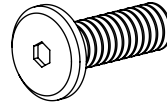
BOUTIQUE LINE - 4 WAY

Item # BQ4W

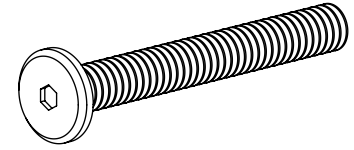


**2 PEOPLE
REQUIRED
FOR
ASSEMBLY**

INCLUDED HARDWARE



8X
1/4"-20 x 0.5" LONG
BINDING POST SCREW



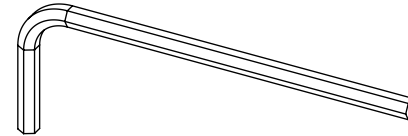
4X
1/4"-20 x 2" LONG
BINDING POST SCREW



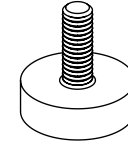
12X
1/4" LOCK WASHER



12X
1/4" FLAT WASHER

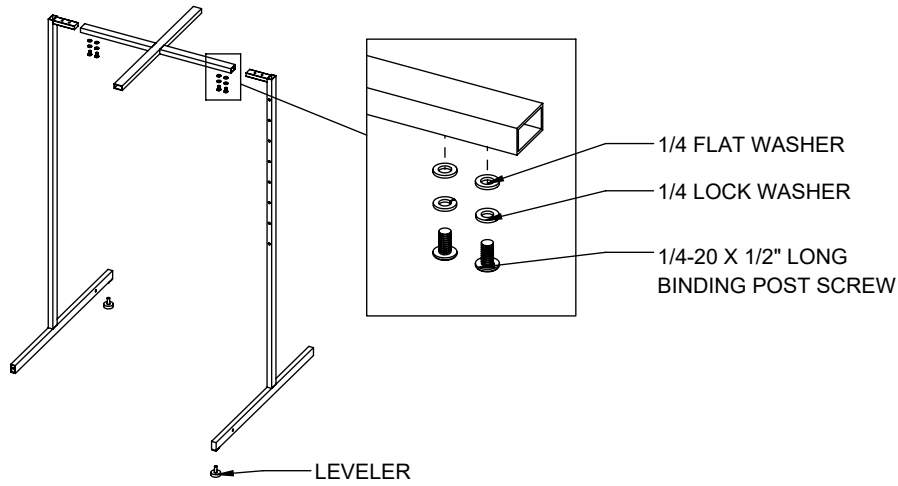


1X
ALLEN KEY

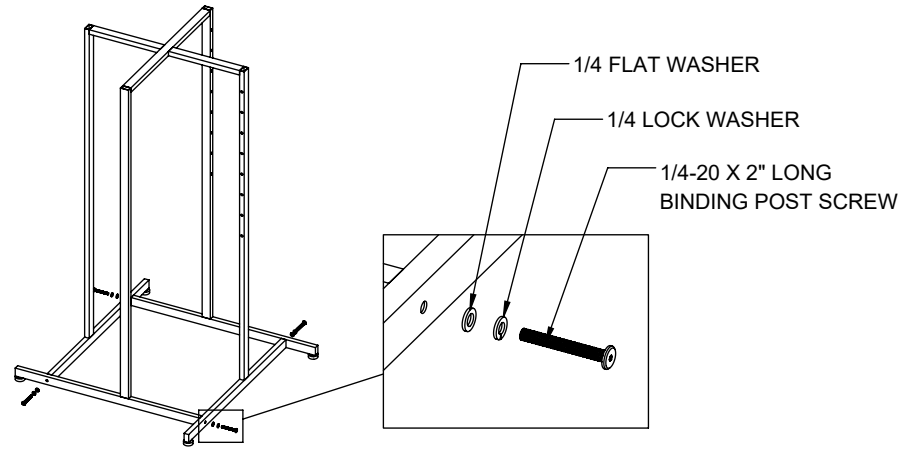


4X
5/16-18" x 1" LONG
NYLON LEVELER

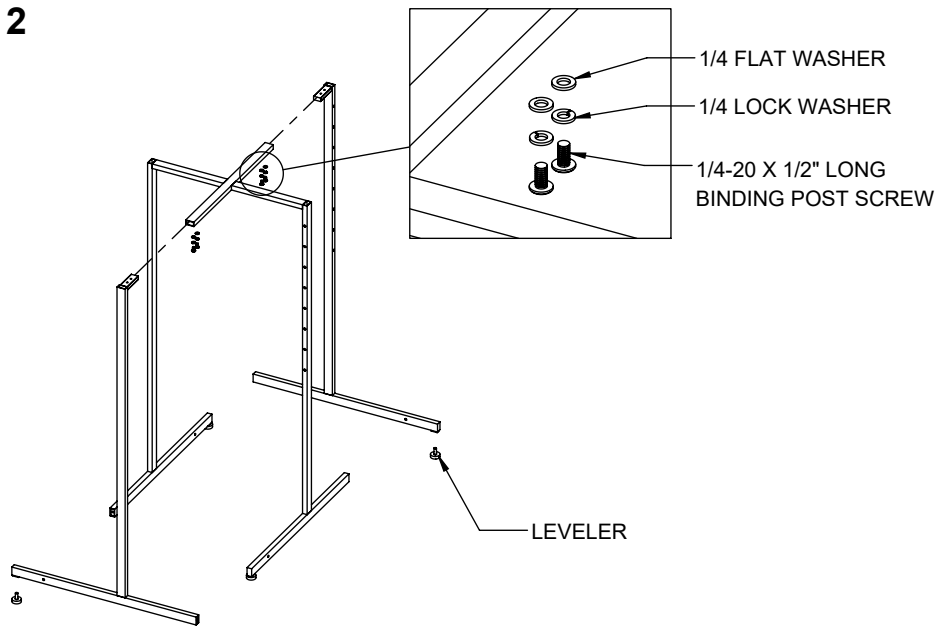
1



3



2



4

