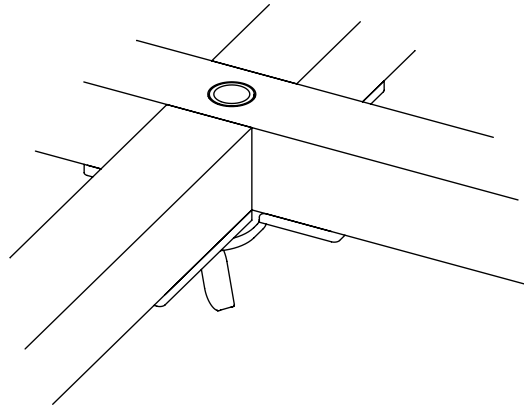
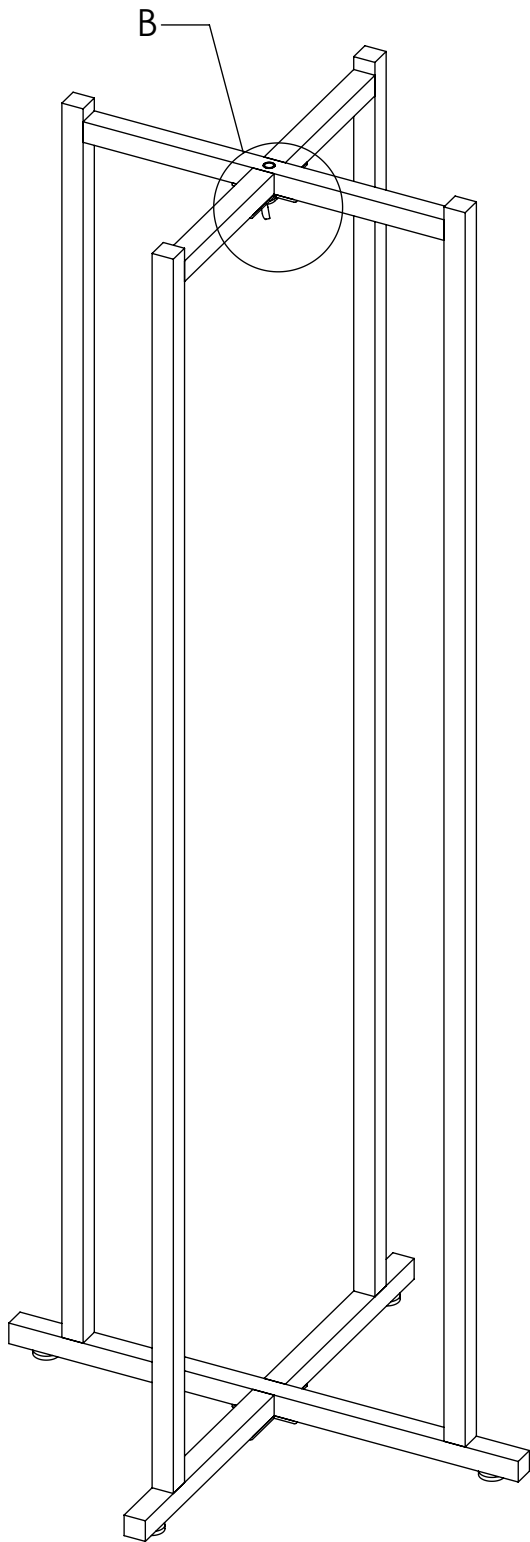


1 UNSCREW WING-NUT & UNFOLD

**Assembly Instructions for
K34, K35 & K36**



2

SCREW IN WING-NUT
AFTER UNFOLDING

**Assembly Instructions for
K34, K35 & K36**